



PRE-TRIP INSPECTION PROCEDURE

STATIONS 1 AND 2 - IN AND IN FRONT OF CAB AND ENGINE COMPARTMENT

- Check steering mechanism for damaged parts and/or excess travel
- Check parking (hand) brake and service brakes
- Check city and highway horn
- Check windshield wiper(s) operational, wiper blades, and arms
- Check rear vision mirror(s)
- Check headlamps, signal indicators, markers, and reflectors
- Check emergency equipment (fire extinguisher, triangles, flares)
- Check hoses, belts, fluid levels, and leaks (air and liquid)

STATIONS 3, 6, 10, AND 12 - WHEELS AND BRAKES

- Inspect wheels for cracks, bent rims and broken studs, clamps, and lugs
- Check tire inflation and valve stems; look for cuts, bulges, tread wear, and signs of misalignment
- Inspect wheel bearing and hub for leaking
- Dual wheels should be evenly matched with the same type of tires
- Check the condition of the brake drums, hoses, air chamber mounting, and slack adjusters

STATIONS 4 AND 14 - SADDLE TANKS

- Fuel tanks and caps should be secure and not leaking
- Check for leaks from the rear of the engine, transmission, drive shaft, and exhaust system
- Air lines and electrical wiring should be secure
- Check frame and cross members for damage
- Battery and battery box should be secure; check battery fluid and cell caps
- Drain moisture from the air tank; close the petcock

STATION 5 - TRAILER FRONT

- Glad hands should be properly mounted, undamaged, and not leaking
- Check the seating and safety catch on electrical plugs, and secure air and electrical lines against tangling, snagging, and chafing, with sufficient slack for turns

STATION 7 - REAR OF TRACTOR

- Cross members should not be bent or cracked
- Lights and reflectors should be clean and operating
- Secure air lines to frame

STATION 8 - FIFTH WHEEL

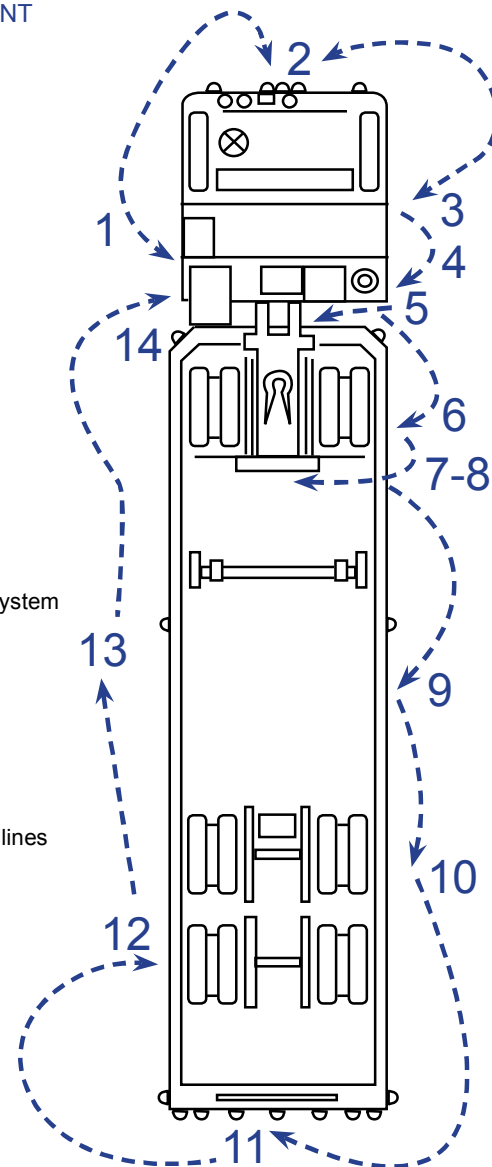
- The fifth wheel should be securely mounted to the frame with no missing or damaged parts and no visible space between the upper and lower fifth wheel
- Locking jaws should secure the shank, not the head of the kingpin, and the release lever should be properly seated and the safety lock engaged

STATIONS 9 AND 13 - TRAILER SIDES

- Landing gear and dollies should be raised (check for damage)
- Check for air or hydraulic leaks
- Check the spare tire rack for damage, and secure the wheel after checking its inflation level
- Lights should be clean and operating
- All placards should match

STATION 11 - TRAILER REAR

- Cargo and tailboard should be secured, and canvas or tarp lashed down
- Latch and lock rear doors and check the underguard
- Check lights and reflective tape



392.7 Equipment, Inspection, and Use

© Copyright Great West Casualty Company 2016. The material in this publication is the property of Great West Casualty Company unless otherwise noted and may not be reproduced without its written consent by any person other than a current insured of Great West Casualty Company for business purposes. Insured should attribute use as follows: "Used with permission by Great West Casualty Company."

This material is intended to be a broad overview of the subject matter and is provided for informational purposes only. Great West Casualty Company does not provide legal advice to its insureds, nor does it advise insureds on employment-related issues. Therefore, the subject matter is not intended to be used as legal or employment advice for any issue(s) that may arise in the operations of its insureds. Legal advice should always be sought from the insured's legal counsel. Great West Casualty Company shall have neither liability nor responsibility to any person or entity with respect to any loss, action, or inaction alleged to be caused directly or indirectly as a result of the information contained herein.

